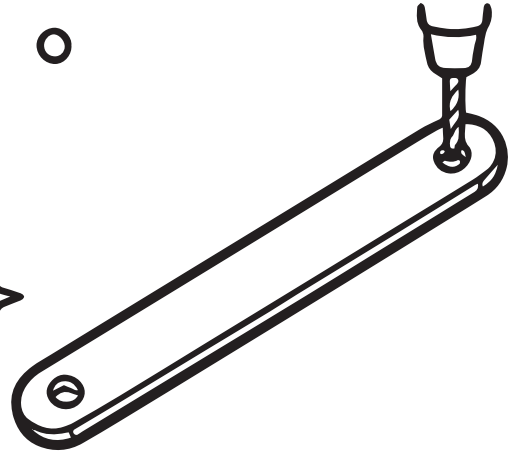


world of printables

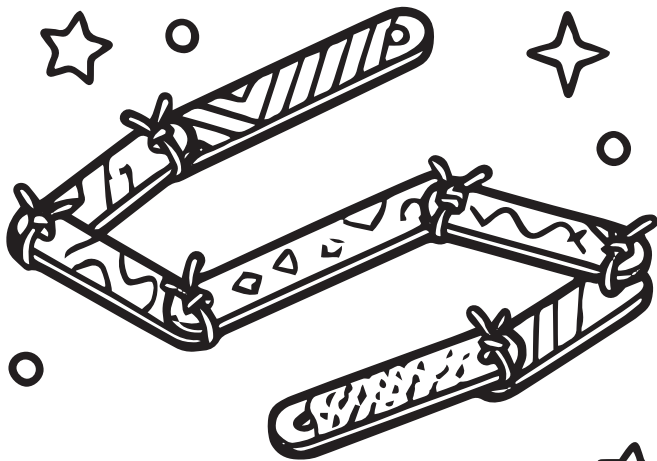
# ARTICULATED SNAKE TOY!



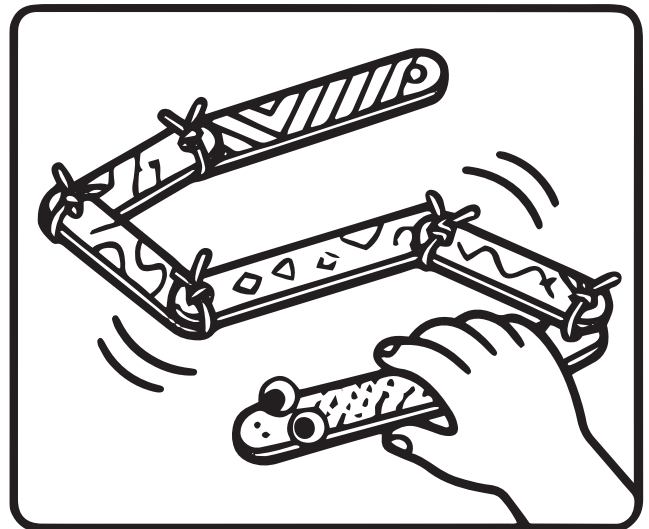
**1. PAINT 5-8 STICKS**



**2. DRILL HOLES AT ENDS**



**3. LINK TOGETHER  
WITH TWINE**



**4. ADD EYES & PLAY!**

**COOL INFO:** These slithering snakes are fun to wiggle and twist like real reptiles!